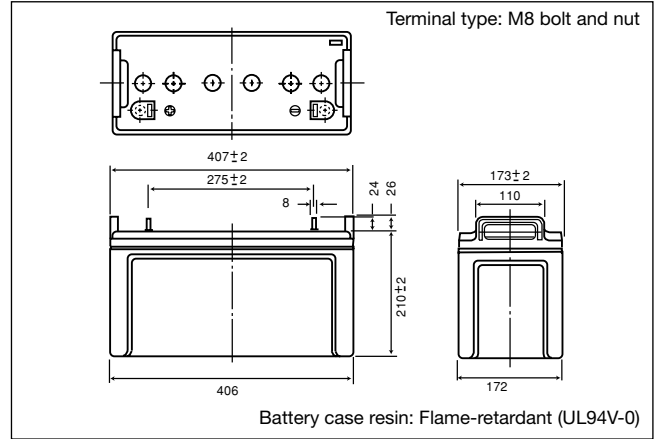


LC-XB12100P

For standby power supplies.
Expected trickle life: 10 – 12 years at 20 °C.



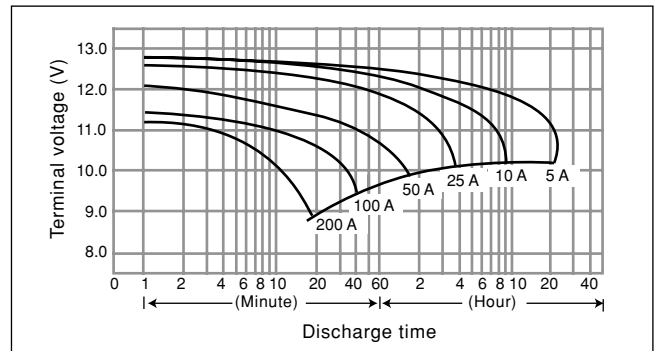
Dimensions (mm)



Specifications

Nominal voltage		12 V
Rated capacity (20 hour rate)		100 Ah
Dimensions	Length	407 mm
	Width	173 mm
	Height	210 mm
	Total Height	236 mm
Approx. mass		37.0 kg

Discharge characteristics (20 °C) (Note)



Characteristics

Capacity (note) (20 °C)	20 hour rate (5.0 A) 10 hour rate (9.8 A) 5 hour rate (18.0 A) 1 hour rate (75.0 A)	100.0 Ah 98.0 Ah 90.0 Ah 75.0 Ah
	1.5 hour rate discharge Cut-off voltage 10.5 V	50.0 A
Internal resistance	Fully charged battery (20 °C)	Approx. 4.5 mΩ
Temperature dependency of capacity (20 hour rate)	40 °C	102 %
	20 °C	100 %
	0 °C	85 %
	-15 °C	65 %
Self discharge (20 °C)	Residual capacity after standing 3 months	91 %
	Residual capacity after standing 6 months	83 %
	Residual capacity after standing 12 months	66 %

(Note) The above characteristics data are average values obtained within three charge/discharge cycles, not the minimum values.

Duration of discharge vs. Discharge current (Note)

