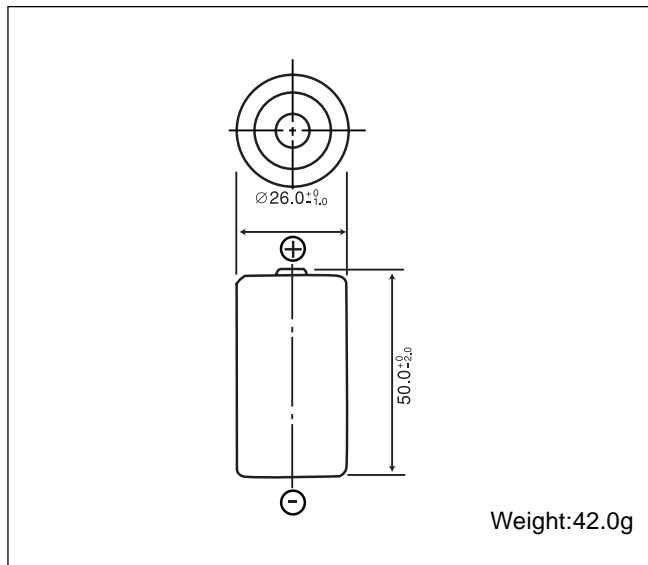


Poly-carbonmonofluoride Lithium Batteries: Individual Specifications

BR-C

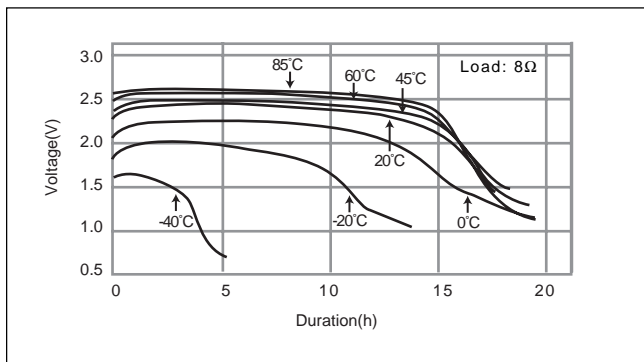
■ Dimensions(mm)



■ Specification

Nominal voltage (V)	3
Nominal capacity (mAh)	5,000
Continuous standard load (mA)	150
Operating temperature (C)	-40 ~ +85

■ Temperature Characteristics



■ Operating voltage vs. Discharge current(voltage at 50% discharge depth)

