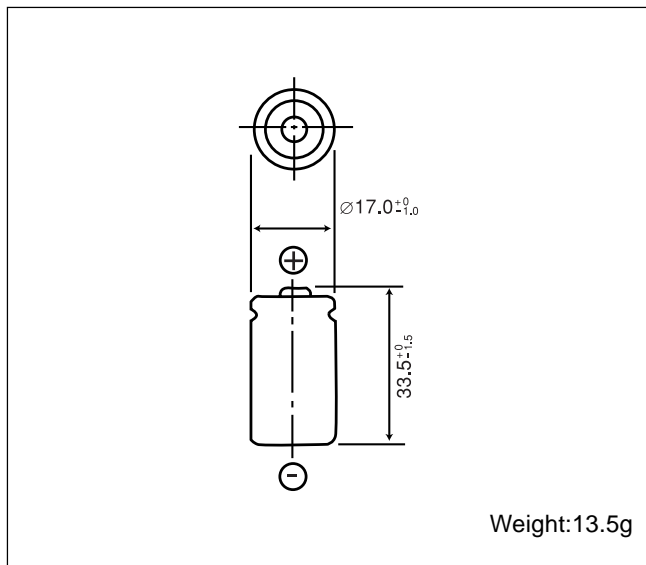


# Poly-carbonmonofluoride Lithium Batteries: Individual Specifications

## BR-2/3AG

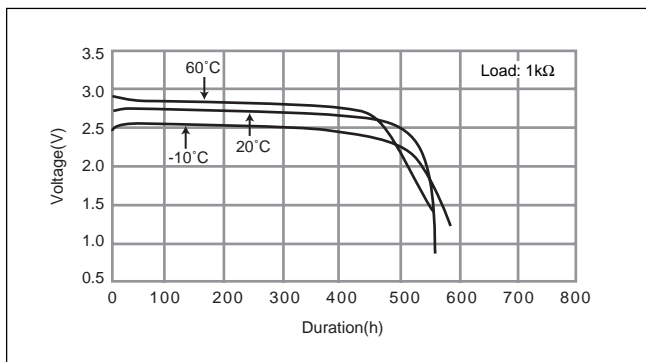
### ■ Dimensions(mm)



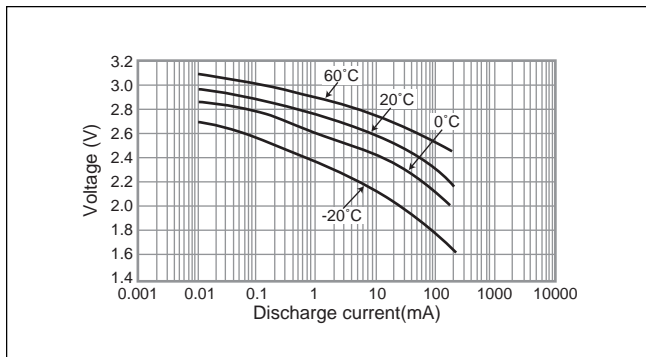
### ■ Specification

Nominal voltage (V)	3
Nominal capacity (mAh)	1,450
Continuous standard load (mA)	2.5
Operating temperature (C)	-40 ~ +85

### ■ Temperature Characteristics

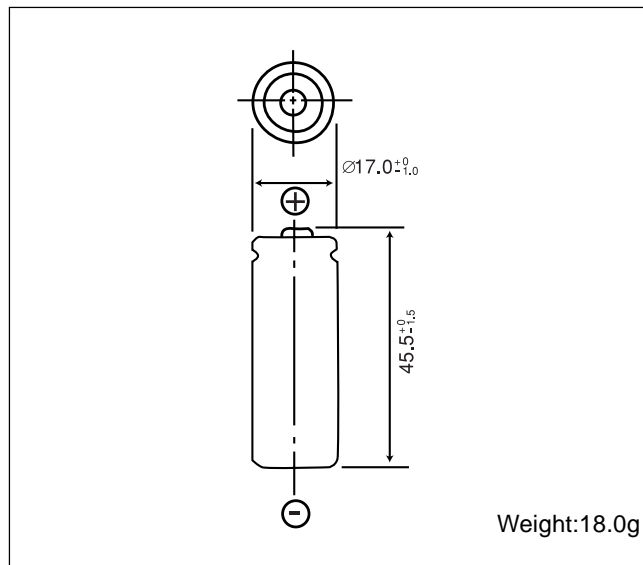


### ■ Operating voltage vs. Discharge current(voltage at 50% discharge depth)



## BR-A

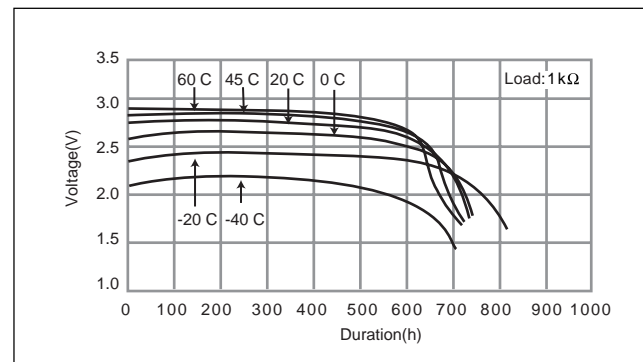
### ■ Dimensions(mm)



### ■ Specification

Nominal voltage (V)	3
Nominal capacity (mAh)	1,800
Continuous standard load (mA)	2.5
Operating temperature (C)	-40 ~ +85

### ■ Temperature Characteristics



### ■ Operating voltage vs. Discharge current(voltage at 50% discharge depth)

