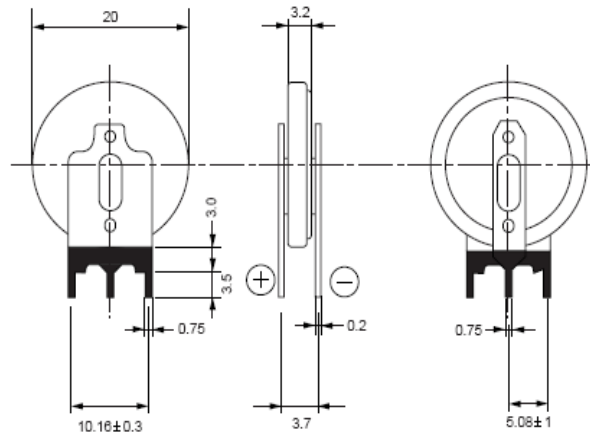
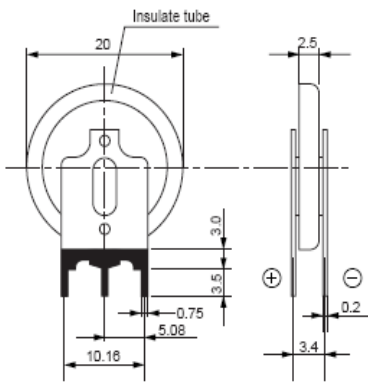


Lithium Batteries (Poly-carbonmonofluoride(BR) series/Manganese Dioxide (CR) series) **G** Type (Unit:mm) **Panasonic**

GVF

BR,CR2032
/1GVF/1GV
Fig No.41



32

BR,CR2032
/1GUF/1GU
Fig No.43

